



# DATA SHEET FOR FLP BREATHER PLUG

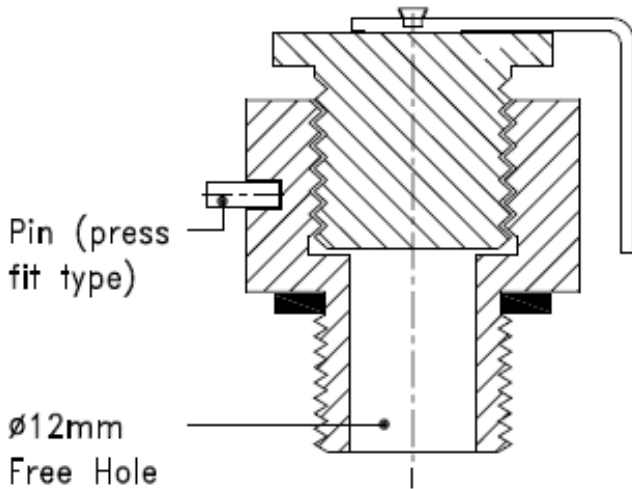
## TECHNICAL DATA:

- PRODUCT : CAT NO: BP / 2 C / 2020
- ENCLOSURE : FLAME PROOF (Ex -d ), Gas Group IIC, As per IS/IEC 60079-1 : 2014
- PROTECTION : WEATHER PROOF IP - 66 AS PER IS/IEC 60529:2001 (Reaffirmed 2014)
- AREA CLASSIFICATION : Ex db IIC Gb ( EX tb / tc IIIC T85 C Db/Dc (ZONE 1 & 2 & Zone 21 & 22 )
- CERTIFICATION : CIMFR, BIS , PESO
- MATERIAL : STAINLESS STEEL.
- GASKET : 'O' RING ENDLESS GASKET NEOPRENE / SILICON

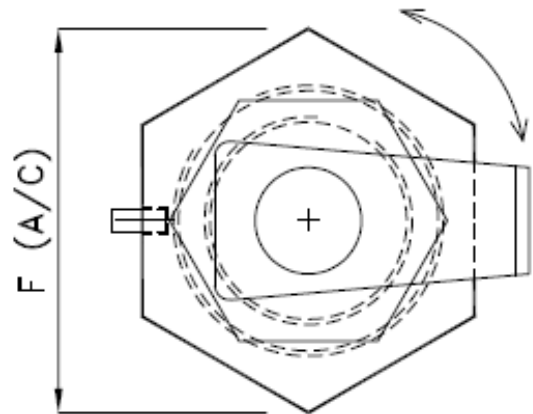


### SELECTION CHART

SR.NO	PARTICULAR
1.	M 20 / ½ " NPT / ¾ " ET / EQUIVALENT



FRONT VIEW



PLAN  
BREATHER/DRAIN  
PLUG